

PRODUCT CODE: EWS12
SWITCH & SOCKET BOX

DESCRIPTION

25mm Extension Switch & Socket Box

FINISH

Pre Galvanised

MATERIAL

Sheet steel to comply with BS4662

PACKAGING

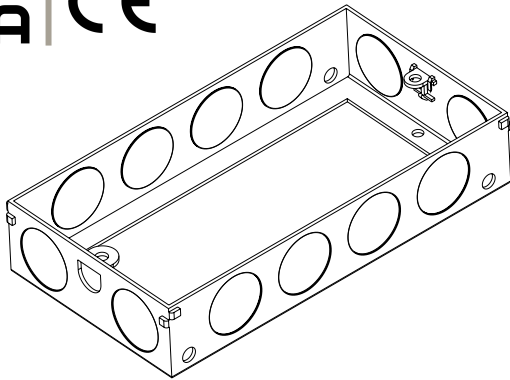
Packed in qty 5

ADDITIONAL NOTES

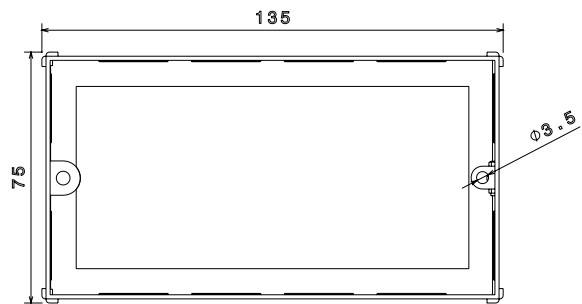
3 fixed lugs and 1 adjustable lug, 20mm knockouts
Compliant to BS4662 & LU Standard 1-085 (for use on surface & sub-surface locations)



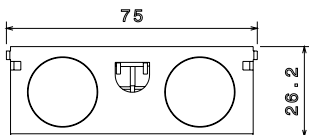
UK
CA | CE



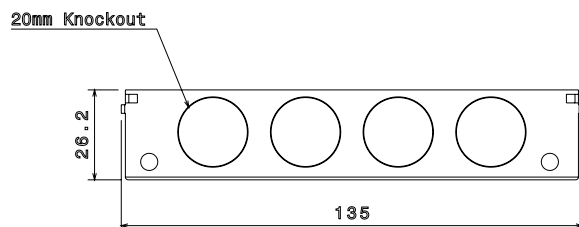
Isometric view



Top view



Front view



Side view